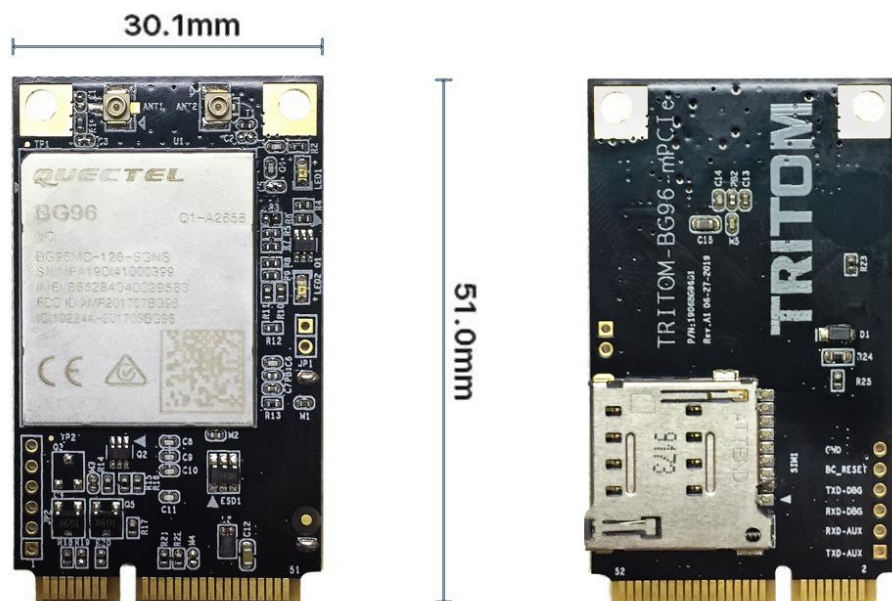


TRITOM BG96 mini PCIe Card Comes with GNSS, NB-IoT & eMTC Connectivity.

Tri Cascade Inc. TRITOM BG96 mPCIe Modem card certified by T-Mobile USA. TRITOM BG96 embedded with Quectel BG96 (LTE Cat M1, LTE Cat NB1 and EGPRS) wireless LTE IoT communication module. It provides data connectivity to LTE-FDD/LTE-TDD/GPRS/EGPRS networks and supports half-duplex operation with PCI Express Mini Card 1.2 standard interface. TRITOM BG96 provides GNSS functionality to meet customers' specific application demands., offering a maximum data rate of 375Kbps downlink and 375Kbps uplink. It features global frequency bands, ultra-low power consumption.



TRITOM BG96 mini PCIe card specifications:

Wireless Connectivity

Module – Quectel BG96 with LTE Cat. M1 (eMTC), LTE Cat. NB1 (NB-IoT), EGPRS, and GNSS
Global bands support

FDD-LTE – B1/ B2/ B3/ B4/ B5/ B8/ B12/ B13/ B18/B19/ B20/ B26/ B28

Tri Cascade Inc. Tel: (949) 296-7501, Fax: (949) 296-7503, www.tricascadeinc.com
5020 Campus Drive, Newport Beach, CA 92660

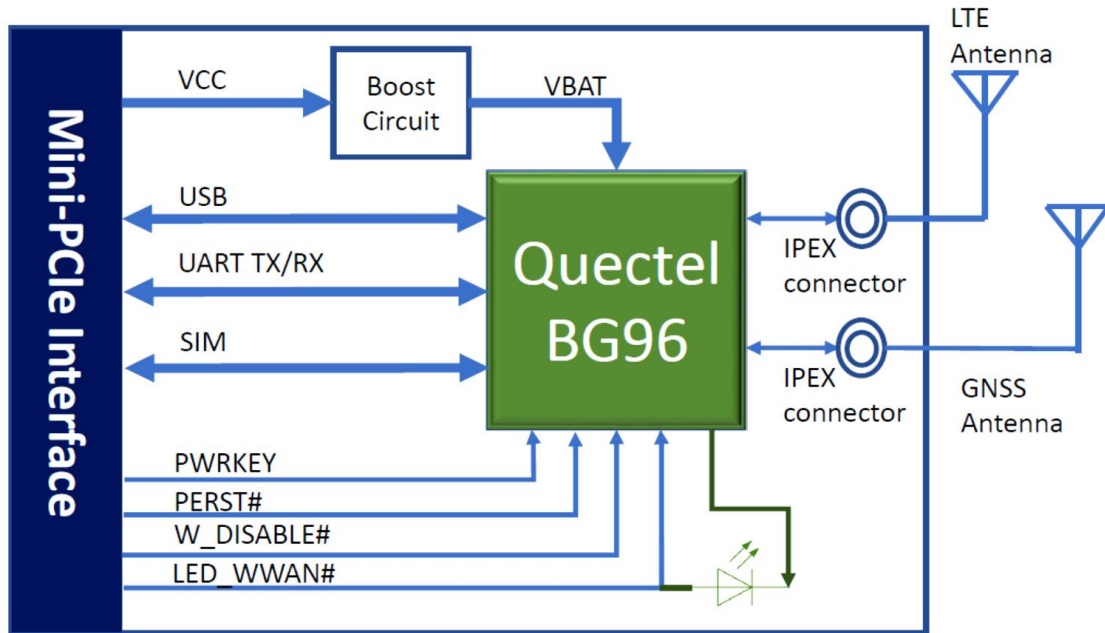
TDD-LTE – B39 (for Cat M1 only)
 EGPRS – 850/900/1800/1900Mhz
 Max Data Rate – Cat M1: 375 kbps (UL/DL); Cat NB1: 32 kbps DK, 70 kbps (UL)
 micro SIM slot
 u.FL connectors for cellular and GNSS
 mPCIe connector with USB 2.0 and UART 3.3V RX/TX
 Misc – LEDs for network and power status
 Dimensions – 51 x 30.1 mm

The following table shows the supported bands and GNSS functions of BG96 Mini PCIe module.

Table 1: Supported Bands/GNSS Functions of BG96 Mini PCIe

Type	Description
LTE Cat NB1	LTE-FDD: B1/B2/B3/B4/B5/B8/B12(B17)/B13/B18/B19/B20/B26/B28
LTE Cat M1	LTE-FDD: B1/B2/B3/B4/B5/B8/B12(B17)/B13/B18/B19/B20/B26/B28 LTE-TDD: B39
GSM ³⁾	GSM850/GSM900/DCS1800/PCS1900
GNSS ¹⁾	GPS, GLONASS, BeiDou/Compass, Galileo, QZSS

Functional Diagram



Pin Assignment

The following figure shows the pin assignment of BG96 Mini PCIe module. The top side contains BG96 module and antenna connectors.

